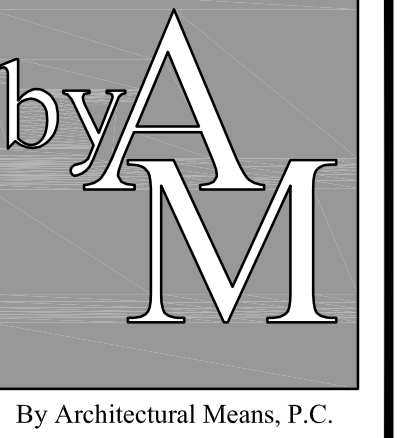


# LARAMIE COUNTY COMMUNITY COLLEGE

## GATEWAY VERTICAL SPIRE SIGNAGE

Cheyenne, Wyoming

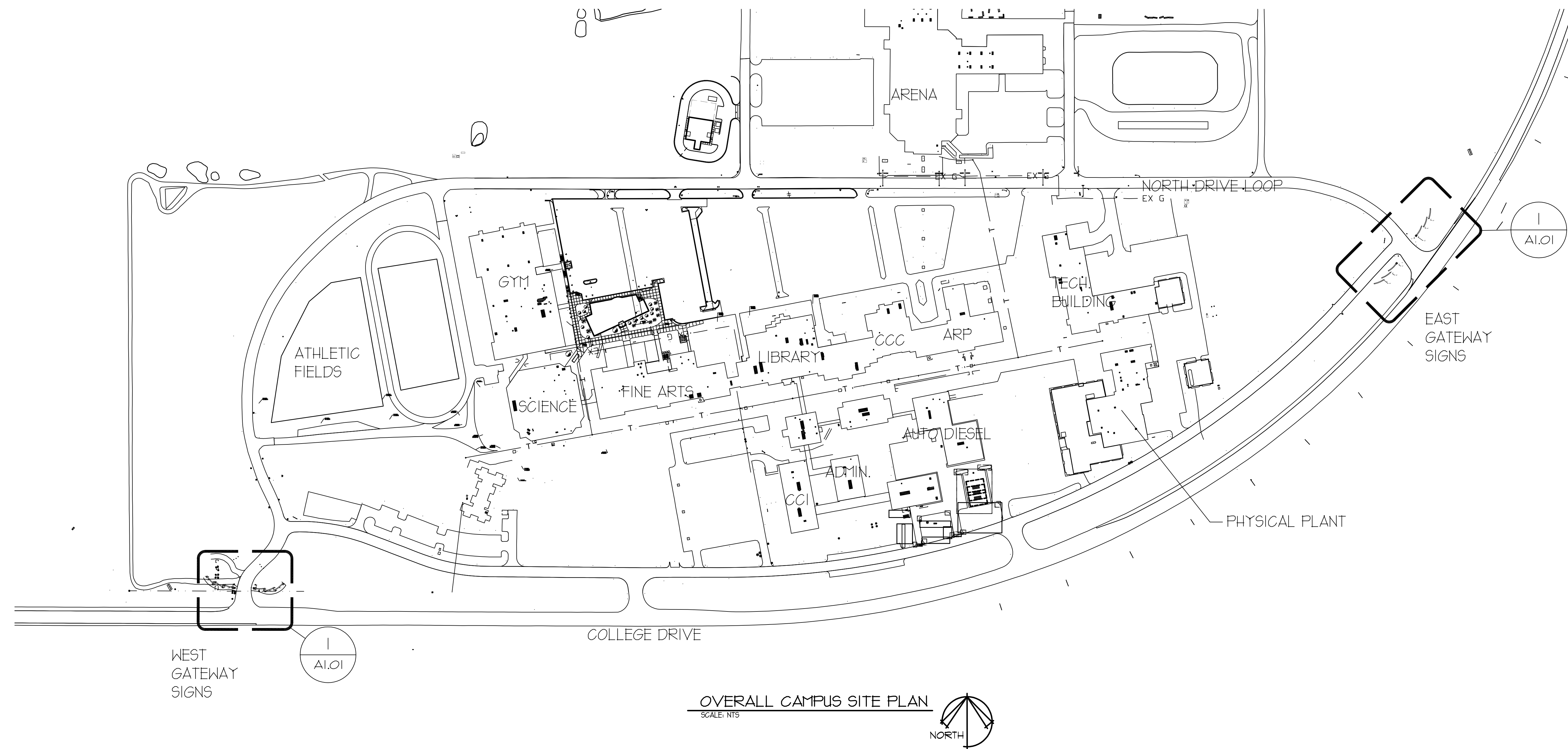
### BID SET



**Owner:**  
Laramie County Community College  
1400 East College Dr.  
Cheyenne, WY 82007  
Phone: 307-778-5222

**Project Address:**  
1400 E. College Dr  
Cheyenne, WY 82007

**Architect:**  
By Architectural Means, P.C.  
P.O. Box 766  
311 West 18th St., Suite 300  
Cheyenne, WY 82001  
Phone: 307-637-7300  
Fax: 307-637-7302  
Principal: Sallie Means, AIA



LARAMIE COUNTY COMMUNITY COLLEGE  
GATEWAY VERTICAL SPIRE SIGNAGE

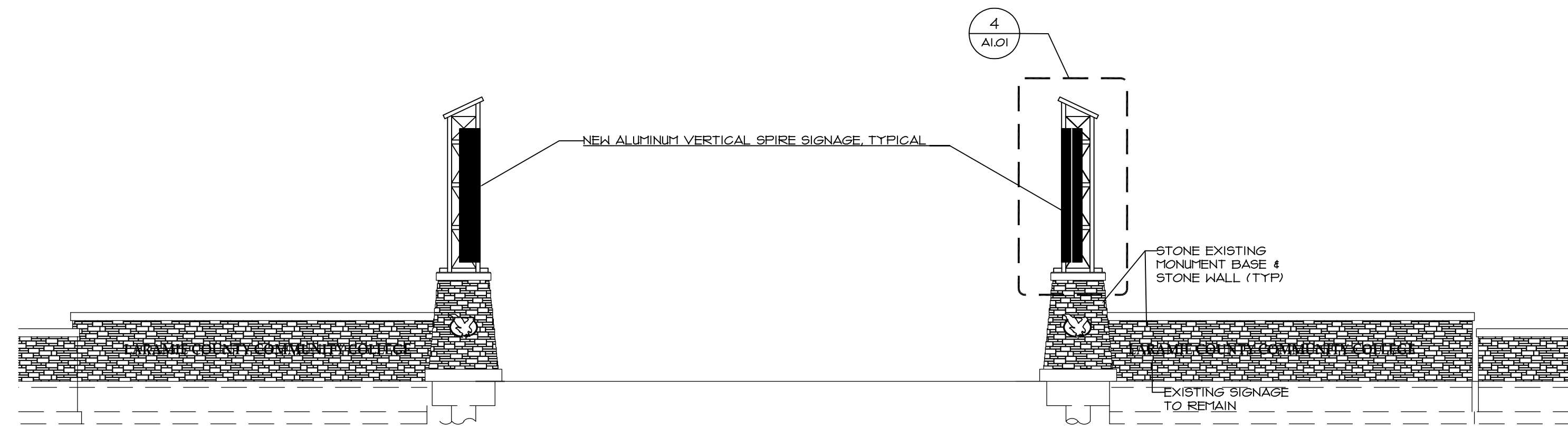
CHEYENNE, WYOMING

1400 EAST COLLEGE DRIVE

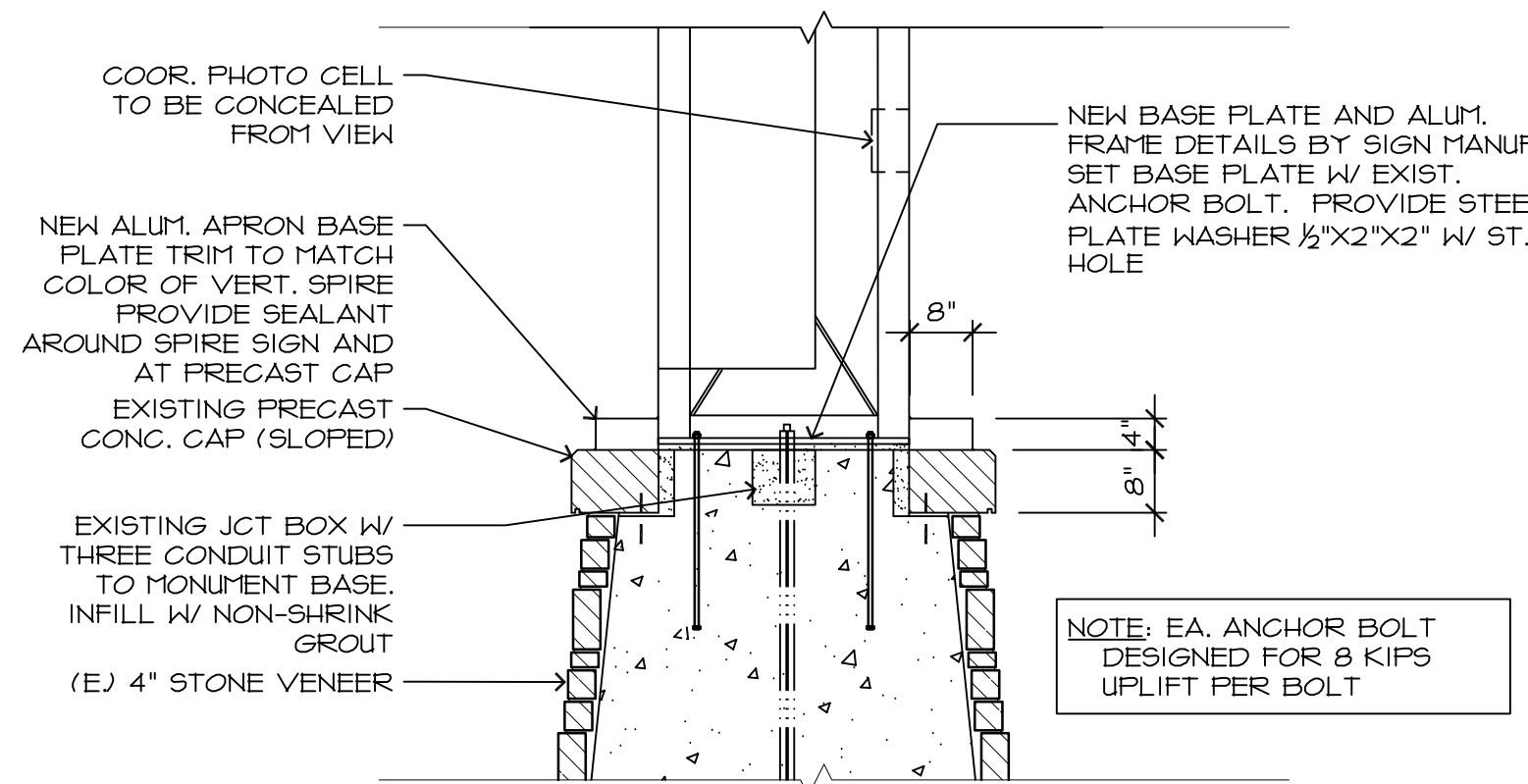
COVER AND  
OVERALL  
CAMPUS SITE  
PLAN

CD SET 04/06/15

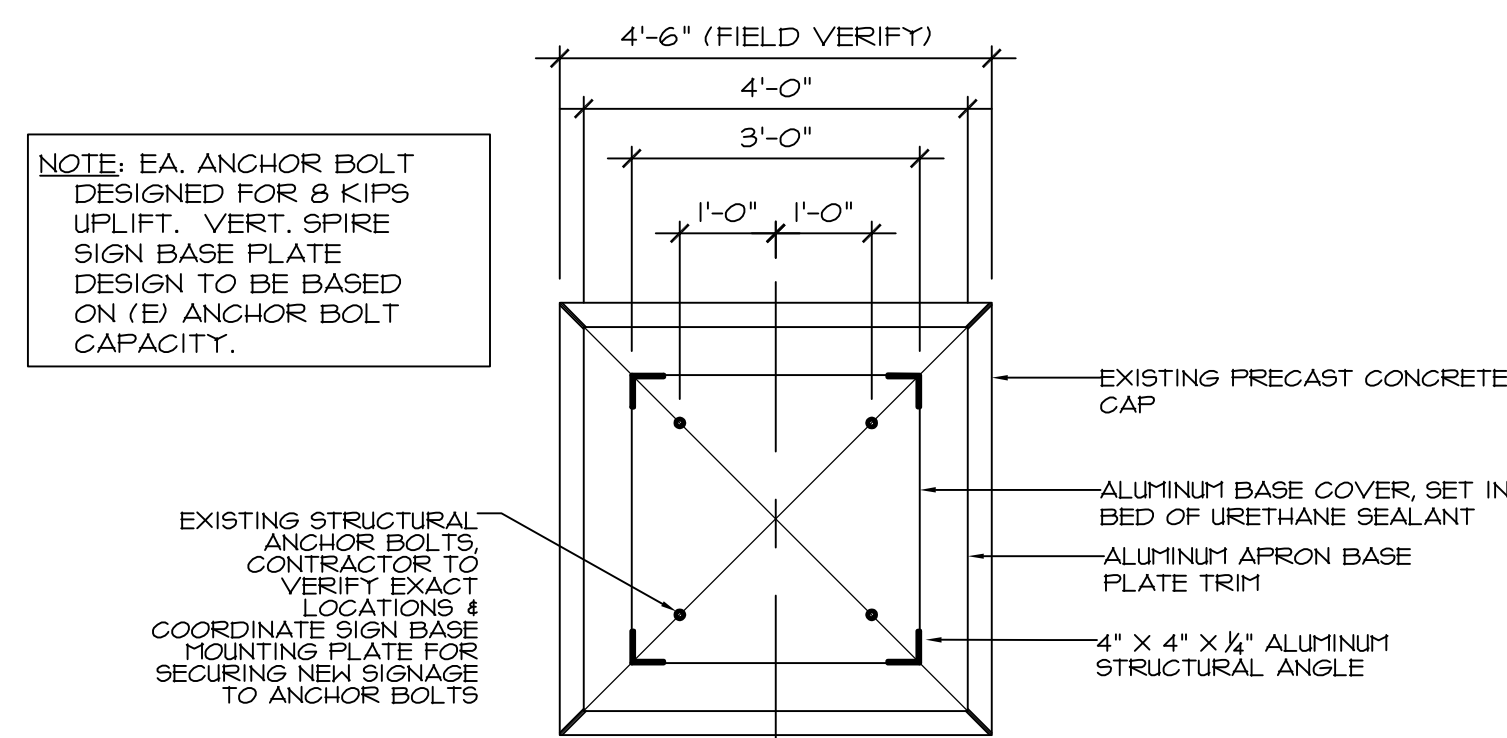
**A1.00**



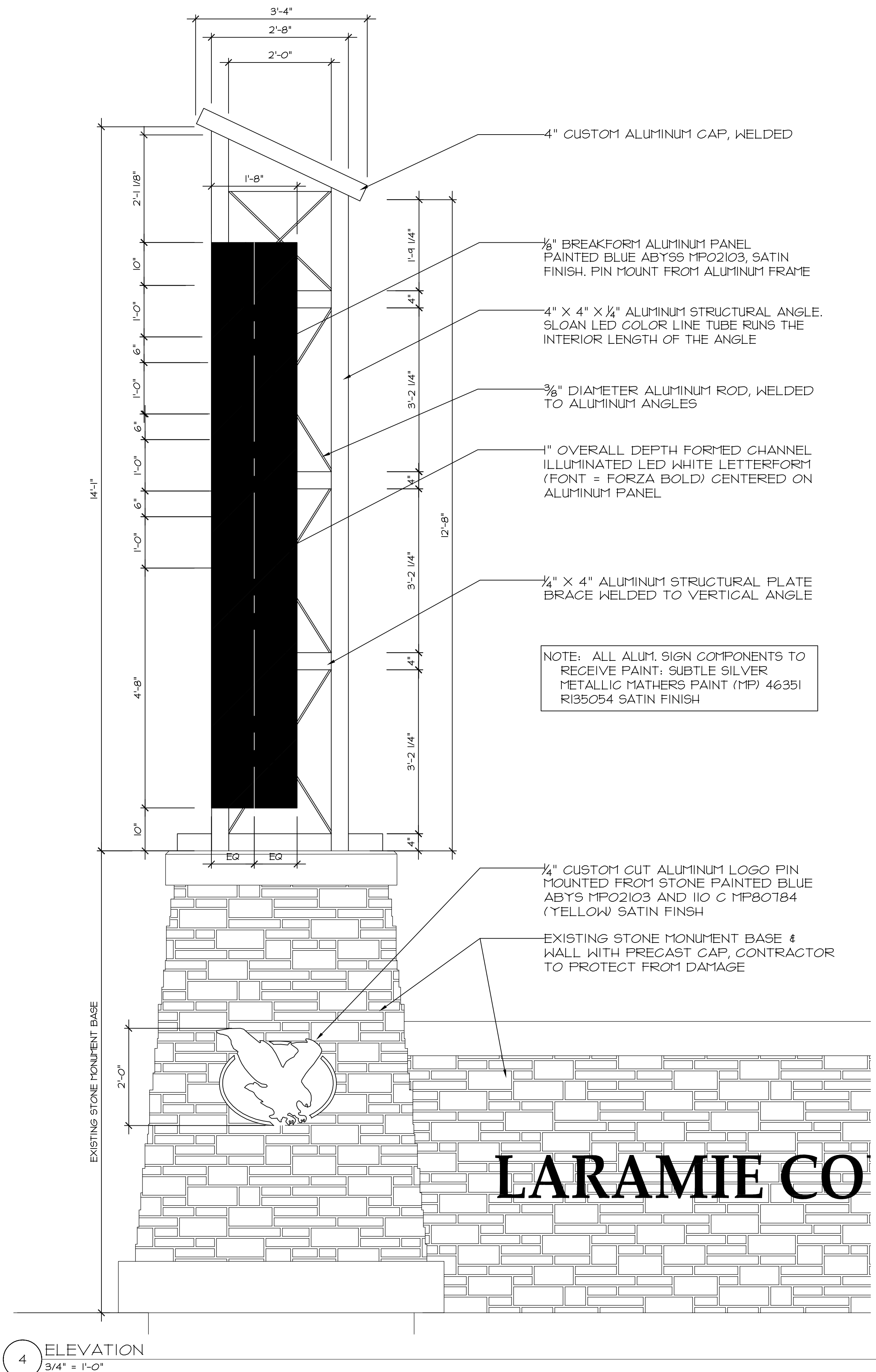
1 GATEWAY ELEVATION (TYPICAL OF TWO)  
1/8" = 1'-0"



2 SIGN MONUMENT BASE DETAIL  
1/2" = 1'-0"



3 PLAN DETAIL  
1/2" = 1'-0"



4 ELEVATION  
3/4" = 1'-0"

GENERAL NOTES:

- CONTRACTOR IS RESPONSIBLE FOR ALL TRAFFIC CONTROL AND SAFETY MEASURES RELATED TO THE INSTALLATION OF THE VERTICAL SPIRE SIGNAGE.
- PRIOR TO THE START OF WORK THE CONTRACTOR AND OWNER'S REPRESENTATIVE SHALL WALK THROUGH AND NOTE THE CURRENT CONDITIONS OF THE GATEWAY SITE IMPROVEMENTS.
- COORDINATE WITH THE OWNER'S REPRESENTATIVE STAGING AREA AND ACTIVITIES.
- CONTRACTOR SHALL PROTECT IN PLACE THE EXISTING GATEWAY SITE IMPROVEMENTS TO INCLUDE THE STONE WALLS, LANDSCAPE PLANTING BEDS WITH IRRIGATION, TREES, SHRUBS, DIMENSIONAL LETTERS, AND ALL OTHER SITE IMPROVEMENTS. ANY DAMAGE CAUSED BY THE CONTRACTOR WILL BE REPAIRED TO THE FULL SATISFACTION OF THE OWNER AND ARCHITECT AT NO EXPENSE TO THE OWNER.
- CONTRACTOR SHALL INSTALL EAST GATEWAY VERTICAL SPIRE SIGNAGE FIRST AND THEN INSTALL THE WEST GATEWAY VERTICAL SPIRE SIGNAGE. CONTRACTOR SHALL COORDINATE THE SEQUENCE AND SCHEDULE OF THE WORK WITH THE OWNER'S REPRESENTATIVE.
- CONTRACTOR SHALL NOT CLOSE A LANE OF THE CAMPUS ACCESS ROADWAY WITHOUT PERMISSION OF THE OWNER'S REPRESENTATIVE. THE CONTRACTOR SHALL NOT CLOSE MORE THAN ONE LANE AT A TIME. AT NO TIME WILL THE ROAD BE CLOSED OVERNIGHT.
- CONTRACTOR WILL COOPERATE WITH THE OWNER WITH RESPECT TO USE OF THE SITE AND THE OWNER'S SEPARATE CONTRACTORS FOR OTHER NEARBY PROJECTS.
- CONTRACTOR SHALL FIELD VERIFY THE EXISTING ANCHOR BOLT LOCATIONS ALONG WITH EACH OF THE MOUNTING CONDITIONS AT THE TOP OF THE MONUMENT SIGN BASE. THE CONTRACTOR CAN NOT ASSUME THAT ALL FOUR LOCATIONS WERE BUILT EXACTLY THE SAME.
- SIGN BASE PLATE DESIGN SHALL UTILIZE THE EXISTING ANCHOR BOLTS. PROVIDE ENGINEERED BASE PLATE CONNECTION STAMPED & SIGNED BY WYOMING LICENSED ENGINEER. NOTE: 8 KIPS PER BOLT IS THE MAXIMUM ANCHOR BOLT TENSILE CAPACITY, BASED ON ANCHOR BOLT LAYOUT PER ORIGINAL CONSTRUCTION DRAWINGS. CONTACT STRUCTURAL ENGINEER OF RECORD IF ANCHOR BOLT LAYOUT VARIES OR REQUIRED TENSILE LOAD EXCEEDS MAX TENSILE CAPACITY. ANCHOR BOLT CAPACITY IS AN ULTIMATE LOAD PER ACI 318-08

LARAMIE COUNTY COMMUNITY COLLEGE  
GATEWAY VERTICAL SPIRE SIGNAGE

CHEYENNE, WYOMING

1400 EAST COLLEGE DRIVE

ELEVATIONS  
AND DETAILS

CD SET 04/16/15

A1.01